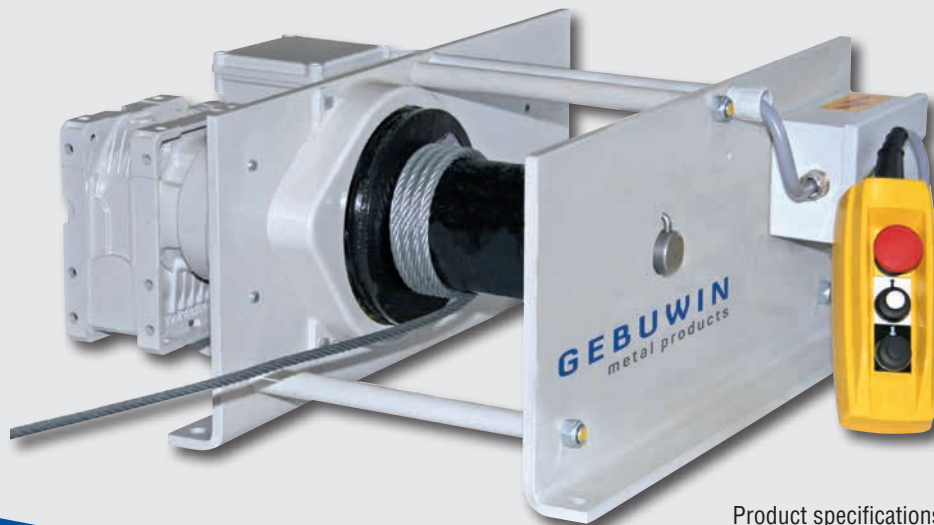


Electric worm gear winch EW125-3200



Electric worm gear winch


230 V or 400 V-50 Hz



Product specifications:

- robust and safe electric pulling winch
- maintenance free ball bearings
- protection classification IP55, insulation class B
- standard overload protection starting from 1000 kg
- standard 1 meter pendant control switch
- operation mode S3 -40% - 120 c/h

Options:

- available as electric hoisting winch (limitswitch and low voltage control are required)
- increase of cable storage per 10 m
- grooved drum
- multiple cable drum compartments
- disengaging clutch (except for 125 kg model)
- wall mounted control switch
- operational limit switch for external installation
- electric overload protection for 125 kg - 990 kg
- low voltage control 42 V control
- double speed (), only possible for
- radio control
- frequency control
- protection classification up to IP66
- ATEX certified  II 3 GD T4, zone 2 and 22

Accessories:

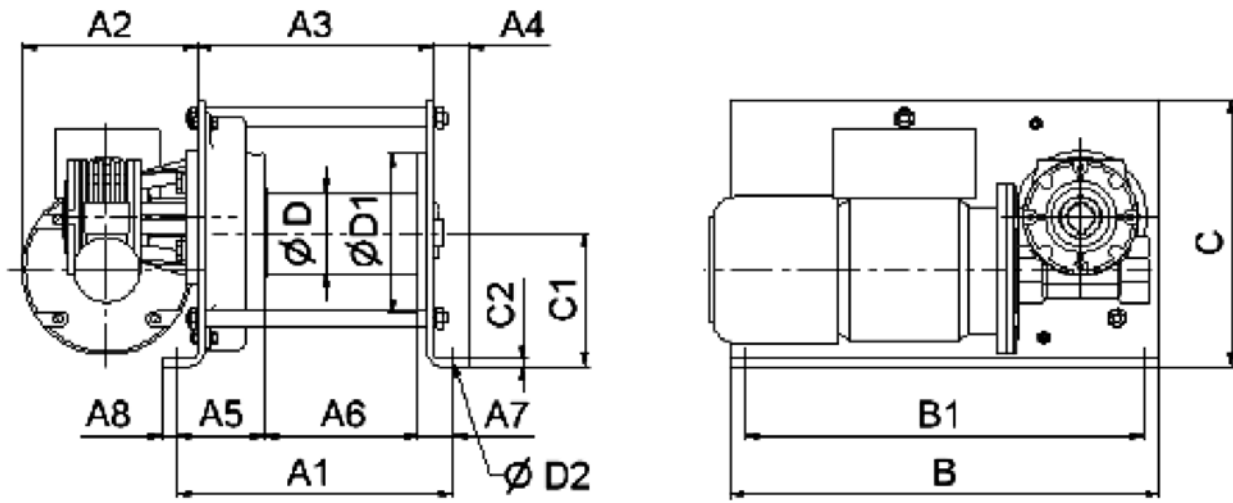
- steel or stainless steel wire ropes

GEBUWIN
metal products

Industrieweg 6, 7102 DZ Winterswijk, The Netherlands
Telephone: +31(0)543 532600 Email: info@gebuwin.com
For more information: www.gebuwin.com



Technical specifications EW125-3200



Type	Mounting	Material finish	Remarks
EW125 D / 230 V or 400 V	Floor, 4x M8 class 8.8	Painted finish	RAL 7035 (grey)
EW250 D / 230 V or 400 V	Floor, 4x M10 class 8.8	Painted finish	RAL 7035 (grey)
EW500 D / 230 V or 400 V	Floor, 4x M10 class 8.8	Painted finish	RAL 7035 (grey)
EW990 D / 230 V or 400 V	Floor, 4x M12 class 8.8	Painted finish	RAL 7035 (grey)
EW1000 D / 230 V or 400 V	Floor, 4x M12 class 8.8	Painted finish	RAL 7035 (grey)
EW2000 D / 230 V or 400 V	Floor, 4x M16 class 8.8	Painted finish	RAL 7035 (grey)
EW3200 D / 400 V	Floor, 4x M16 class 8.8	Painted finish	RAL 7035 (grey)

Dimensions (mm)	A1	A2	A3	A4	A5	A6	A7	A8	B	B1	C	C1	C2	D	D1	D2
EW125 D / 230 V or 400 V	205	195/165	171	30	43	135	27	13	405	375	215	140	4	60	130	9
EW250 D / 230 V or 400 V	260	195/165	222	34	78	150	32	15	405	375	250	125	6	60	150	11
EW500 D / 230 V or 400 V	260	195/165	222	34	82	145	33	15	405	375	250	125	6	76	150	11
EW990 D / 230 V or 400 V	345	240/216	289	45	99	198	48	17	575	535	270	155	10	108	180	13
EW1000 D / 230 V or 400 V	345	240/216	289	45	99	198	48	17	575	535	270	155	10	108	180	13
EW2000 D / 230 V or 400 V	440	240/216	358	61	173	200	67	20	600	550	385	171	15	146	245	17
EW3200 D / 400 V	525	198	443	61	193	257	75	20	600	550	405	191	15	216	370	17

Technical specifications		EW125	EW250	EW500	EW990	EW1000	EW2000	EW3200
Capacity 1st cable layer	kg	125	250	500	990	1000	2000	3200
Capacity last cable layer	kg	90	180	340	780	780	1560	2500
Cable speed 1st cable layer (230 V)	m/min	7,8 (15)	5 (10)	2,5 (5)	4,5	4,5	4,5	-
Cable speed 1st cable layer (400 V)	m/min	7,8 (15)	5 (10)	2,5 (5)	4,5 (9)	4,5 (9)	4,5	4,5
Diameter cable	mm	4	4	6	8	8	11	16
Max. cable storage	m	32	35	30	30	30	30	37
Min. breaking load cable	kN	5	9	18	36	36	70	114
Motor output (230 V)	kW	0,37 (0,75)	0,37 (0,75)	0,37 (0,75)	1,3 (2,6)	1,3 (2,6)	2,6	-
Motor output (400 V)	kW	0,37 (0,75)	0,37 (0,75)	0,37 (0,75)	1,3	1,3	2,6	3
Current (230 V)	A	4 (5,2)	4 (5,2)	4 (5,2)	9,1	9,1	9,1	-
Current (400 V)	A	1,1 (1,9)	1,1 (1,9)	1,1 (1,9)	3,2 (6)	3,2 (6)	6	7
Own weight	kg	27	37	40	88	88	160	210

() = version with double cable speed
subject to changes

Form more information: www.gebuwin.com