

Battery drill winch WA200

200 kg

Description of the winch

This battery drilling machine winch is a user-friendly winch and is often used as a back-up system. If the power fails and you want to move a heavier load quickly and effectively, the use of a battery powered drill offers a solution. The winch is very compact and can be mounted both against the wall and on the floor. Ideal for smaller work.

Product specifications

- > robust and safe lifting and pulling winch operated with battery drill
- > static safety factor 4
- > flexible coupling attachment for battery drill
- > self braking worm gear system
- > suitable for wall or floor (console) mounting
- > suitable for short lifting lengths
- > maintenance free aluminum closed gear box
- > in compliance with EN13157 and DIN 15020
- > painted frame with thickness 60 - 80 micron in 1 layer (RAL 7035 - grey) and zinc-plated finished cable drum

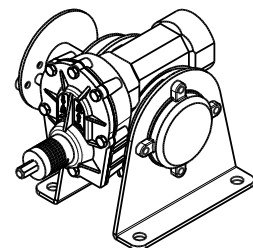
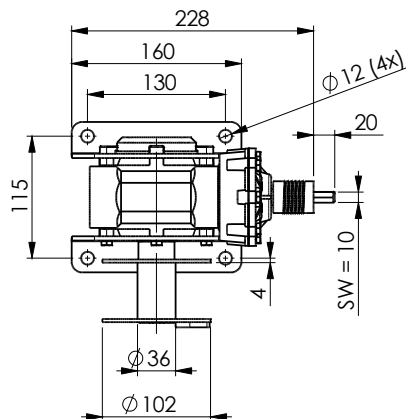
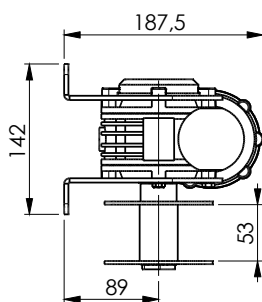
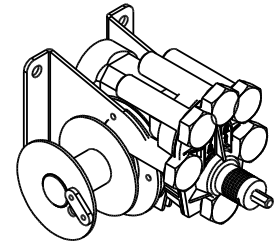
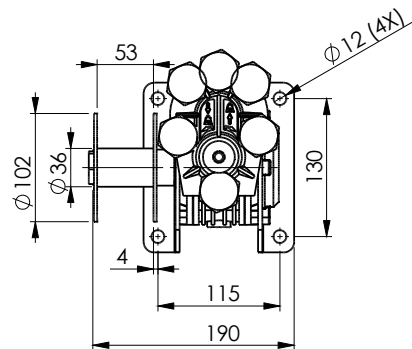
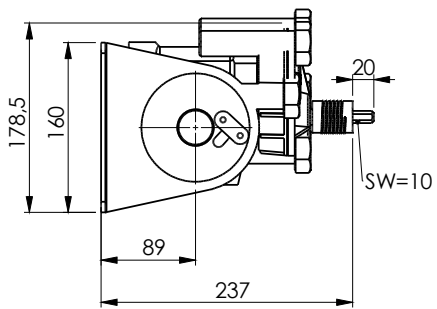


Accessories

- steel or stainless steel wire rope ([p. 55](#))
- pulley block ([p. 57](#))

CE Ex  [Product & instruction video on YouTube](#)

Technical specifications WA200



Technical specifications

Technical specifications	Unit	WA200
Capacity 1st layer	kg	200
Capacity top (7) layer	kg	90
Rope diameter-Ø	mm	4
Rope storage 1st layer	m	8
Rope storage top layer	m	18
Max. input rotation speed drill	rpm	1400
Lifting speed	mm/min	800
Weight (without rope)	kg	6
Article number	no.	77290000